

ISHINOMAKI LABORATORY

Founded in 2011, ISHINOMAKI LABORATORY began as a simple, public workshop for the local community devastated by the tsunami triggered by the Great East Japan Earthquake. In addition to DIY workshops for affected residents, the ISHINOMAKI LAB participated in the restoration and renovation of local shops -creating spaces where people could reinvent the future of the city together. Combining good design with "handmade" products, the ISHINOMAKI LABORATORY label was established to market the products beyond the local community. Talented designers from Japan and abroad collaborate with the ISHINOMAKI LAB team to create furniture and objects for the benefit of the community. As the world's first DIY label, ISHINOMAKI LAB expands the world and potential of DIY with good design. The ISHINOMAKI LAB operates with the belief that DIY and design can energize people and communities -and life as a whole -in any situation and environment. The hope is that people around the world can rediscover their own innate creativity to enrich everyday life and society for a more fulfilling future.

www.ishinomaki-lab.org

MADE IN LOCAL

The MADE IN LOCAL initiative began as a simple desire to place the designs and story of ISHINOMAKI LAB in a local context, respecting a holistic relationship with people (local manufacturers and markets) and places (locally available materials). MADE IN LOCAL projects are currently e.g. in London, Manila, Mexico, Detroit and Berlin. In addition, inspired by MADE IN LOCAL, ISHINOMAKI LAB is also working on domestic collaborations in Japan. The ISHINOMAKI LAB aims to further develop Made in MADE IN LOCAL projects with the hope that more communities can be enlivened through good design.

www.ishinomaki-lab.org/news/news/made-in-local

ISHINOMAKI LAB by HLZFR.

HLZFR. GMBH was founded in Berlin in 2007 as "Gesellschaft der Holzfreunde". The HOLZFREUNDE (literally "Friends of Wood") combine the competence of the architect, engineer and craftsman for the planning and building with wood in building construction, custom built-ins and furniture by ISHINOMAKI LABORATORY. The partnership as part of the MADE IN LOCAL initiative began in 2018 with the aim of manufacturing the AA STOOL by designers TORAFU ARCHITECTS in Berlin and developing modular furniture based on it, for more complex functions while remaining minimalist – considering constantly changing requirements and the need to save resources. ISHINOMAKI LAB by HLZFR. manufactures in Berlin with wood from local, sustainably managed forests.

ISHINOMAKI LAB by HLZFR. GMBH
FRIEDRICHSTR. 245A
D – 10969 BERLIN

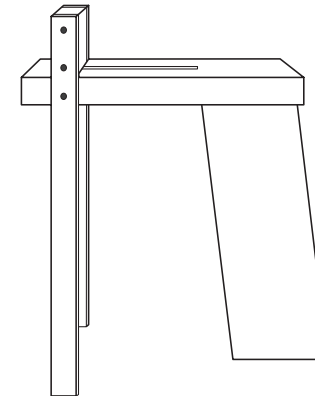
AA@HLZFR.COM
WWW.ISHINOMAKI-LAB.ORG
WWW.AA.HLZFR.COM
INSTAGRAM/AA.HLZFR

v1.0 03/2024

TRIPODAL STOOL

ISHINOMAKI LAB
by
HLZFR.

Designed by
STUDIO ADJECTIVE (HK)



The TRIPODAL STOOL respects ISHINOMAKI LAB's concept of simple and easy-to-construct wooden furniture, and embraces greater sophistication. It is designed with not only aesthetics in mind but with the intention of being carried around and used as communal furniture. The front leg is slightly slanted at 7 degrees to enhance the stability of the base, creating an iconic signature for the stool. It can also serve as a bedside table by utilizing the gap in the seat as cable space for a table lamp or mobile phone charger. The simple advantage of a tripod is that it is always stable on the floor.

NATURE OF PRODUCTS

We manufacture our furniture from solid wood from local, sustainably managed forests (see product label for wood species and origin). The wood is treated with vegetable oil soap (KREIDEZEIT/ MARSEILER SOAP) with the addition of white pigment (Lithopone/ Titanium white rutile). Screws are made of stainless steel (V2A). Optionally we offer/ we recommend an oil-wax finish (KREIDEZEIT/SAFFLOWER MULTI PURPOSE WAX).

PURPOSE AND HANDLING

Note the intended purpose of our products according to the product label (chair, trestle, table, etc.). Other use than the intended only with common sense! Pay attention to even surfaces! Furniture can warp on uneven surfaces. Please note handling furniture on hard floors (parquet, tiles, screed, etc.) can cause indentations and scratches on the surface. Optionally we offer/we recommend felt pads under chair, bench and table feet.

CHARACTERISTIC AND WARRANTY

We work wood according to the relevant technical rules, paying attention to wood moisture content and dimensional accuracy in production. Wood moisture changes with environmental conditions, even with storage and transport. Wood can work, bend and warp by nature. This does not constitute a defect. If furniture wobble, it usually can be pulled back into its original shape.

The intensive treatment with vegetable oil soap protects the wood to a certain extent from water and dirt and makes cleaning easier. Simple cleaning with vegetable oil soap regenerates the protection. However, the vegetable oil soap is not film-forming, or at most slightly film-forming, and for this offers little protection against intensive staining

Design Studio Adjective (HK). Co-founded by Emily Ho and Wilson Lee, Studio Adjective is a creative multidisciplinary design agency based in Hong Kong. Studio Adjective's design strategy focuses on enhancing the connections between humans, communities, and cities. Recent projects include Galleon FashionWalk, Tencent Doctorswork, and NOC Coffee Co.
www.adj.com.hk

soiling (e.g. red wine, berries). The oil-wax finish (KREIDEZEIT/ SAFFLOWER MULTI PURPOSE WAX) forms a film and improves protection – but requires regular maintenance, depending on the intensity of use. Follow the manufacturer's recommendations.

Minor impacts and scratches can be regenerated with intensive cleaning (see REPAIR). Incidentally, this forms a patina over time – which is traditionally considered beautiful in Japan. Taking the reparability into account, our furniture is robust and durable companion for life.

CARE AND MAINTENANCE

For everyday cleaning, vacuum/sweep off dust etc. and then wipe the wood with a soft, damp cloth with cold, clear water in the direction of the grain and allow to dry. No water should stand on wood. Water marks can be removed with intensive cleaning. The intensive cleaning and at the same time care and maintenance is done with vegetable oil soap. Work the hot soap intensively into the wood with a soft cloth, sponge or brush. Finally, wipe up excess soapy water with a clean cloth and spread evenly so that no residue remains. Wood absorbs moisture in particular through the cut surfaces (the end grain) – if necessary, furniture should be laid on its side or upside down to dry. After drying – usually the following day – polish the wood with a cleaning and polishing fleece/ pad or with a soft brush to a silky gloss finish. Smooth small knocks and light scratches in the wood with grain 220/180 sandpaper in the direction of the grain and re-smooth the edges if necessary.

REPAIR AND SURFACE FINISH

Small knocks and light scratches in the wood can usually be regenerated with the intensive cleaning described before. Any surface coating based on natural based oils, resins and waxes can be applied to the soaped wood, in principle. It can also be colored. Applying wood stain is not possible (on raw wood). As a simple surface coating, we use/ recommend KREIDEZEIT/SAFFLOWER MULTI PURPOSE WAX with pigmentation. Intensive coloring is also possible. In preparation, the wood should be thoroughly cleaned of soap residue with a clean, damp cloth. Allow the wood to dry and smooth with a fine sanding pad. Smooth small knocks and light scratches in the wood with grain 220/180 sandpaper in the direction of the grain and re-smooth the edges if necessary.

OUTDOOR USE AND WEATHERING

The standard version of our furniture is not suitable for permanent outdoor use and cannot be permanently exposed to the weather. Please contact us if you intend to use it outdoors. Furniture, that has been exposed to the weather, should be wiped out with a clean, dry cloth. Spread the remaining water evenly and allowed to dry. Water marks can be removed with the intensive cleaning (see CARE AND MAINTENANCE).